



**“POLNA” S.A.**

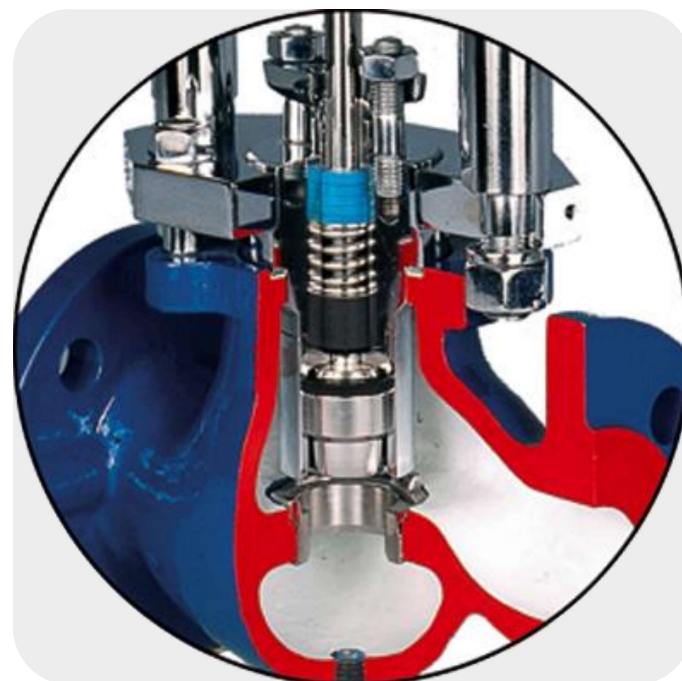
37-700 Przemyśl, Obozowa 23 Str

E-mail: [marketing@polna.com.pl](mailto:marketing@polna.com.pl)

Tel: +48 16 678 66 01

Fax: +48 16 678 65 24

[www.polna.com.pl](http://www.polna.com.pl)



**„POLNA” S.A.**



**“POLNA” S.A.**

37-700 Przemyśl, Obozowa 23 Str

E-mail: [marketing@polna.com.pl](mailto:marketing@polna.com.pl)

Tel: +48 16 678 66 01

Fax: +48 16 678 65 24

[www.polna.com.pl](http://www.polna.com.pl)



**Company name:** Zakłady Automatyki „POLNA” S.A.

**Location:** Przemyśl, POLAND

**Start of activity:** 1923 year

**Expierience in automation:** 50+ years

**Employment:** ~200 employees

**Core business:** control valves

## Important dates

**Start of production:**

- **Central lubrication equipment - 1964**
- **Laboratory equipment: 1964**
- **Control valves, pneumatic actuators– 1967**
- **Self operated regulators– 1972**





“POLNA” S.A.

37-700 Przemyśl, Obozowa 23 Str

E-mail: [marketing@polna.com.pl](mailto:marketing@polna.com.pl)

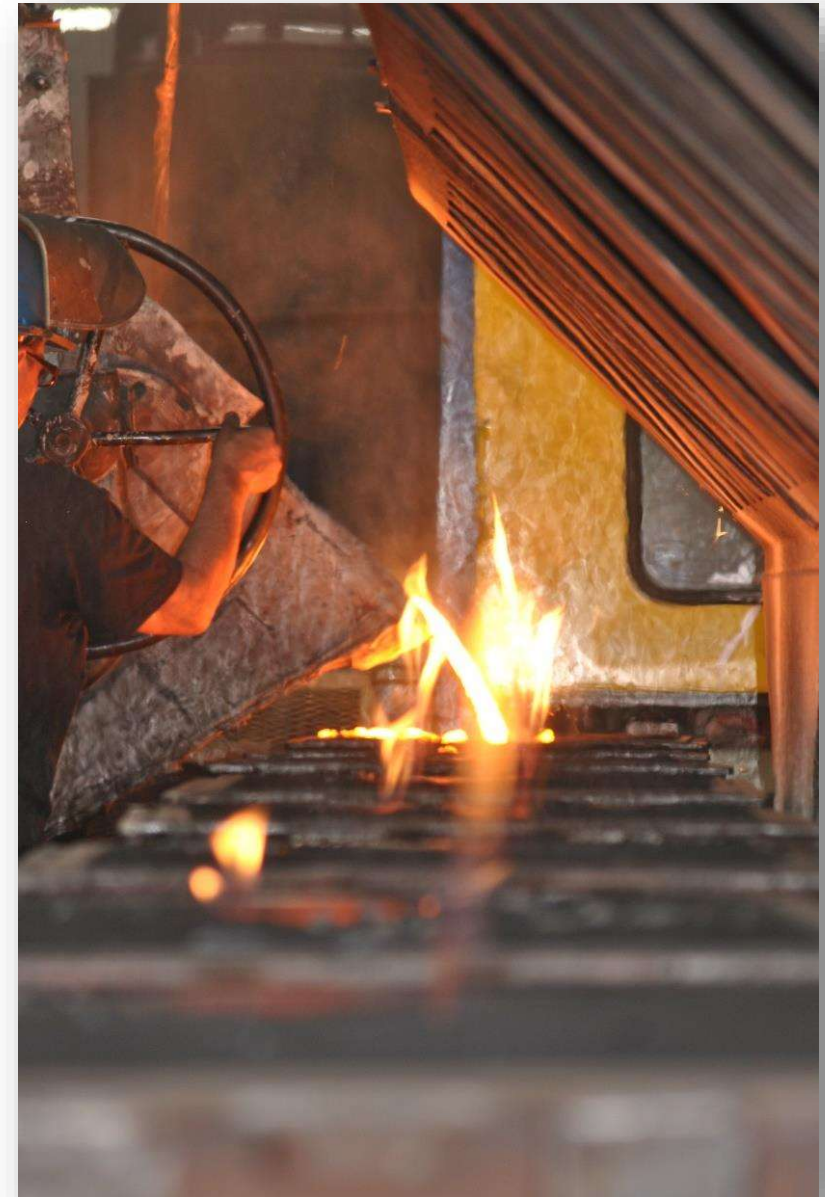
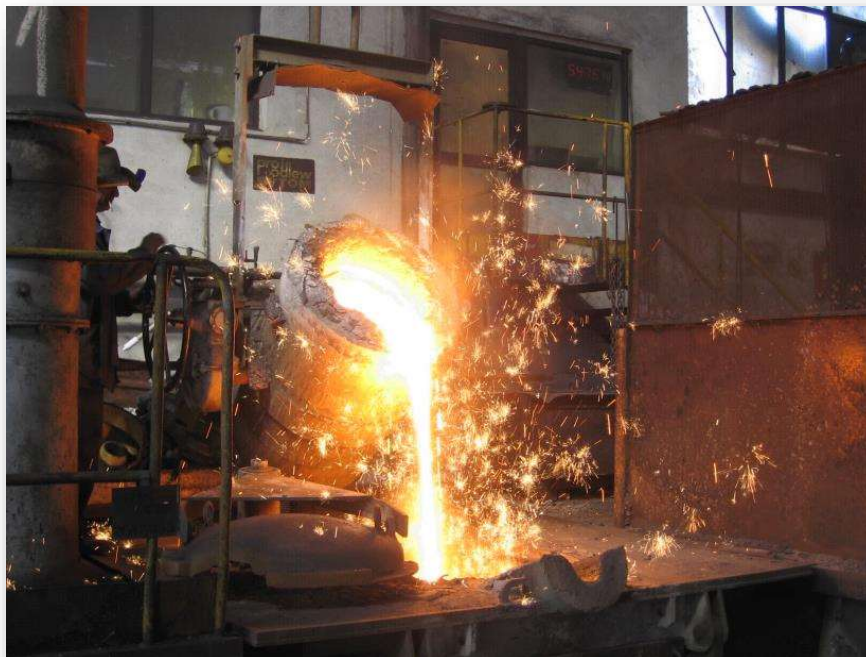
Tel: +48 16 678 66 01

Fax: +48 16 678 65 24

[www.polna.com.pl](http://www.polna.com.pl)

## PRODUCTION SHOP:

- **FOUNDRY**
  - **Production capacity: 1.000 ton per year**
  - **Mechanical and manual molding**
  - **Materials: grey iron, ductile iron,**
  - **Casting weight: up to 600 kg**





“POLNA” S.A.

37-700 Przemyśl, Obozowa 23 Str

E-mail: [marketing@polna.com.pl](mailto:marketing@polna.com.pl)

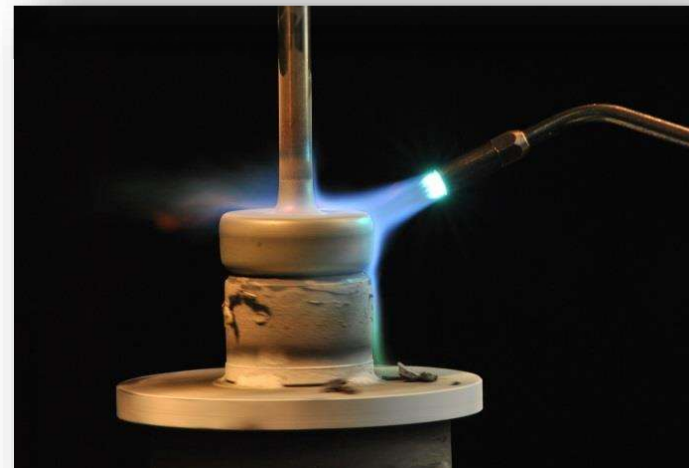
Tel: +48 16 678 66 01

Fax: +48 16 678 65 24

[www.polna.com.pl](http://www.polna.com.pl)

## PRODUCTION SHOP:

- MACHINING (CNC, including 5 axis CNC center)
- PAINTING/COATING
- PRESS FORMING AND DIE SHEARING
- WELDING
- STELLITING
- HEAT TREATMENT





“POLNA” S.A.

37-700 Przemyśl, Obozowa 23 Str

E-mail: [marketing@polna.com.pl](mailto:marketing@polna.com.pl)

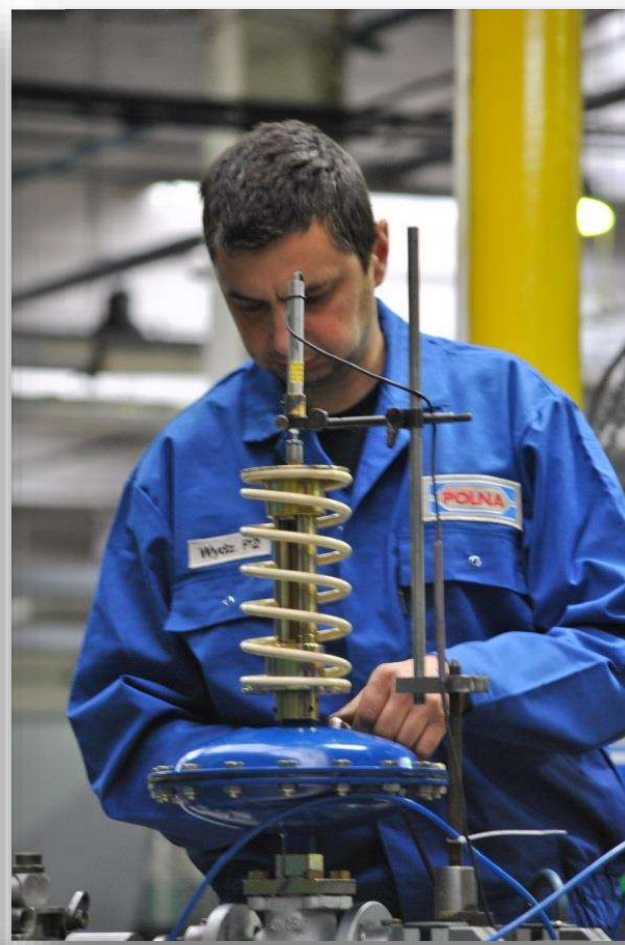
Tel: +48 16 678 66 01

Fax: +48 16 678 65 24

[www.polna.com.pl](http://www.polna.com.pl)

## PRODUCTION SHOP:

- ASSEMBLY
- REPAIRS AND REGENERATION





“POLNA” S.A.

37-700 Przemyśl, Obozowa 23 Str

E-mail: [marketing@polna.com.pl](mailto:marketing@polna.com.pl)

Tel: +48 16 678 66 01

Fax: +48 16 678 65 24

[www.polna.com.pl](http://www.polna.com.pl)

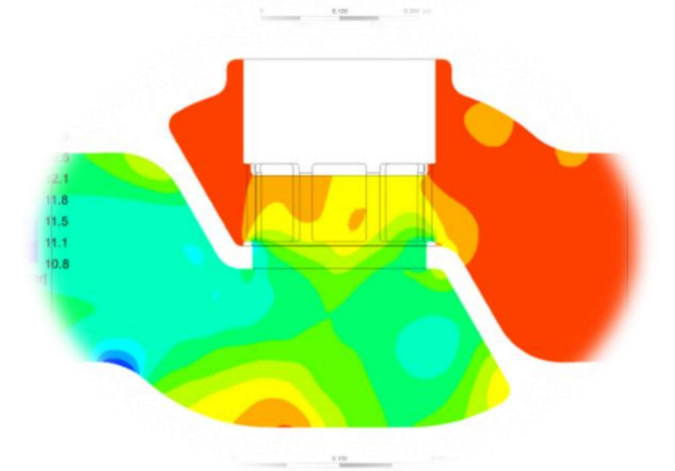
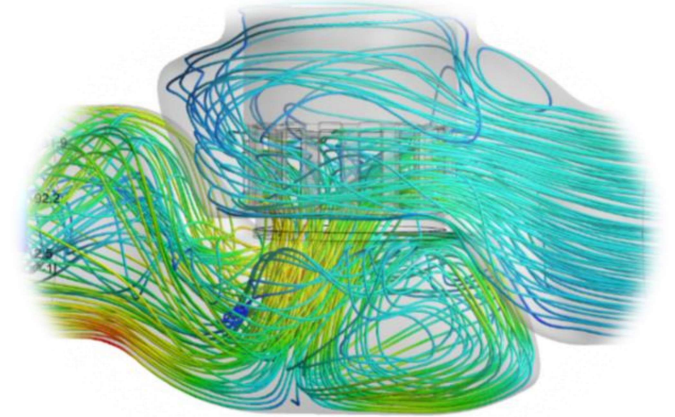
## MODERN TEST STATION:

- DN 600 (NPS 24")
- PN 1200 bar CL 7500
- 100% valves tested



## R&D DEPARTMENT:

- Qualified engineers including specialists in flow and strength calculations
- Software:
  1. flow calculations (CFD)
  2. strength analysis (FEM)
  3. documentation management (PLM/PDM)
  4. Siemens NX design software
- Test bench for flow rate testing





“POLNA” S.A.

37-700 Przemyśl, Obozowa 23 Str

E-mail: [marketing@polna.com.pl](mailto:marketing@polna.com.pl)

Tel: +48 16 678 66 01

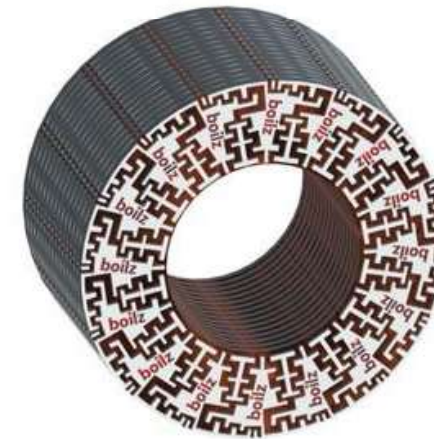
Fax: +48 16 678 65 24

[www.polna.com.pl](http://www.polna.com.pl)

## PRODUCT DEVELOPMENT

Development of new products and optimization of existing design solutions, including:

- Labyrinth valves
- Multi-path valves
- Microflow valves
- Reduction and cooling stations







**“POLNA” S.A.**

37-700 Przemyśl, Obozowa 23 Str

E-mail: [marketing@polna.com.pl](mailto:marketing@polna.com.pl)

Tel: +48 16 678 66 01

Fax: +48 16 678 65 24

[www.polna.com.pl](http://www.polna.com.pl)

**„POLNA” PRODUCTS ARE USED IN THE  
FOLLOWING INDUSTRIES:**

- ✓ **Oil & Gas**
- ✓ **Power**
- ✓ **Petrochemical industry**
- ✓ **Chemical industry**
- ✓ **Iron and steel**
- ✓ **Heat engineering industry**
- ✓ **Mining**
- ✓ **Cement mills**
- ✓ **Sugar industry**





**“POLNA” S.A.**

37-700 Przemyśl, Obozowa 23 Str

E-mail: [marketing@polna.com.pl](mailto:marketing@polna.com.pl)

Tel: +48 16 678 66 01

Fax: +48 16 678 65 24

[www.polna.com.pl](http://www.polna.com.pl)

## EXPORT ~ 40% OF SALES

- 
- A stylized world map in shades of blue and white, showing continents and major cities. The map is overlaid with a grid of latitude and longitude lines. The background of the slide is a light blue gradient with faint, glowing lines and shapes, suggesting a global or technological theme.
- **Germany**
  - **Russia**
  - **Czech Republic**
  - **Italy**
  - **Ukraine**
  - **Uzbekistan**
  - **Kazakhstan**
  - **United Kingdom**
  - **Bulgaria**
  - **Lithuania**
  - **UAE**
  - **Other countries**



“POLNA” S.A.

37-700 Przemyśl, Obozowa 23 Str

E-mail: [marketing@polna.com.pl](mailto:marketing@polna.com.pl)

Tel: +48 16 678 66 01

Fax: +48 16 678 65 24

[www.polna.com.pl](http://www.polna.com.pl)

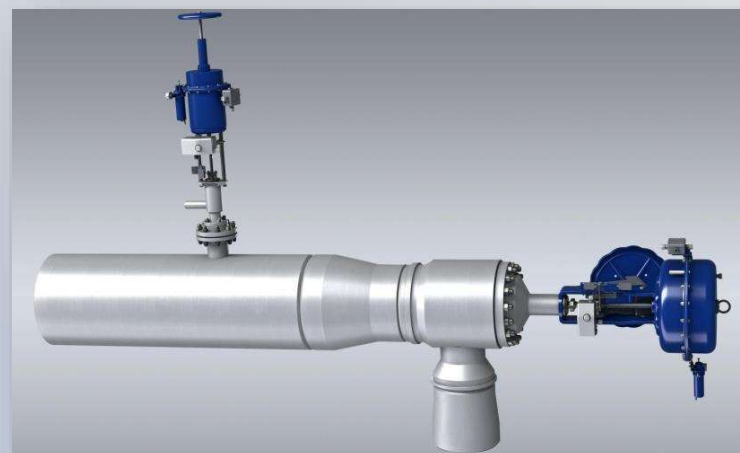
## POLNA PRODUCTS:

### Automatic Control Engineering:

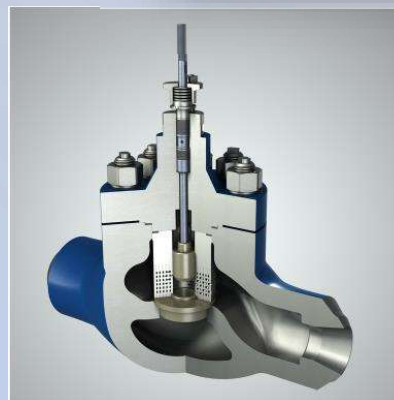
-Control valves equipped with actuators:



-Reducing and cooling stations:



- special executions adjusted to individual customers' requirements.

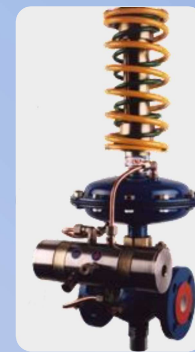


## 2. Heat engineering:

- differential, pressure and flow regulators

- strainers

- needle and manifold valves



## 3. Central lubrication equipment:

- pumps: lubrication, loading, manual

- grease feeders, distributors and other





“POLNA” S.A.

37-700 Przemyśl, Obozowa 23 Str

E-mail: [marketing@polna.com.pl](mailto:marketing@polna.com.pl)

Tel: +48 16 678 66 01

Fax: +48 16 678 65 24

[www.polna.com.pl](http://www.polna.com.pl)

## 4. Laboratory equipment:

- water distillers and re-distillers





**"POLNA" S.A.**

37-700 Przemyśl, Obozowa 23 Str

E-mail: [marketing@polna.com.pl](mailto:marketing@polna.com.pl)

Tel: +48 16 678 66 01

Fax: +48 16 678 65 24

[www.polna.com.pl](http://www.polna.com.pl)

# Presentation of products





**“POLNA” S.A.**

37-700 Przemyśl, Obozowa 23 Str

E-mail: [marketing@polna.com.pl](mailto:marketing@polna.com.pl)

Tel: +48 16 678 66 01

Fax: +48 16 678 65 24

[www.polna.com.pl](http://www.polna.com.pl)

## **CONTROL VALVES STANDARD PARAMETERS**

<b>Nominal diameter range :</b>	DIN	DN15 – DN400
	ANSI	NPS1/2” – NPS16”
<b>Nominal pressure range :</b>	DIN	PN10 – PN400
	ANSI	CL150 – CL2500



**“POLNA” S.A.**

37-700 Przemyśl, Obozowa 23 Str

E-mail: [marketing@polna.com.pl](mailto:marketing@polna.com.pl)

Tel: +48 16 678 66 01

Fax: +48 16 678 65 24

[www.polna.com.pl](http://www.polna.com.pl)

## **CONTROL VALVES STANDARD PARAMETERS**

### **Valve body material grades:**

#### **DIN**

Gray cast iron	EN-GJL-250	T= -10...+300°C
Ductile iron	EN-GJS-400-18LT	T= -20...+350°C
Carbon steel	1.0619, 1.6220	T= -40...+400°C
Alloy steel	1.7379, 1.7357	T= -10...+550°C
Stainless steel	1.4408, 1.4308	T= -196...+650°C

#### **ANSI**

Carbon steel	A216 WCB	T= -40...+400°C
Alloy steel	A217 WC9	T= -10...+550°C
Stainless steel	A351 CF8M	T= -196...+650°C

### **Other material grades upon agreement**





**“POLNA” S.A.**

37-700 Przemyśl, Obozowa 23 Str

E-mail: [marketing@polna.com.pl](mailto:marketing@polna.com.pl)

Tel: +48 16 678 66 01

Fax: +48 16 678 65 24

[www.polna.com.pl](http://www.polna.com.pl)

## **CONTROL VALVES STANDARD PARAMETERS**

### **Valve trim material grades:**

#### **DIN**

Acid-proof steel

1.4571,

stellited coating

Stainless steel

1.4057, 1.4125

hardening

Titanium

Monel

#### **ANSI**

Acid-proof steel

304, 316, 316L

stellited coating

Stainless steel

431, 440

hardening

Titanium

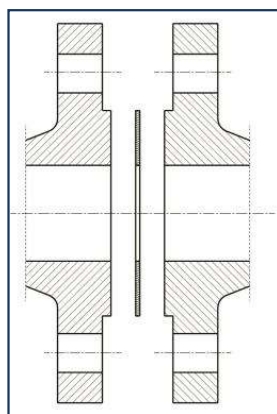
Monel

### **Other material grades upon agreement**

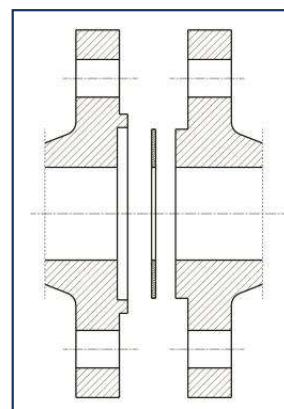
# VALVE EXECUTIONS

## EN/DIN and ANSI/ASME standards

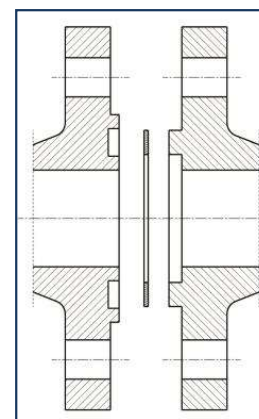
Flanged



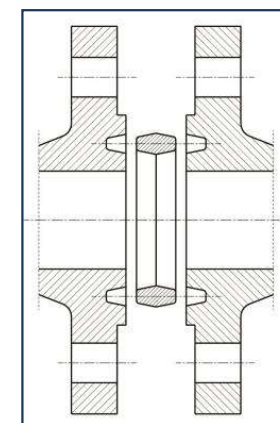
RF



FF

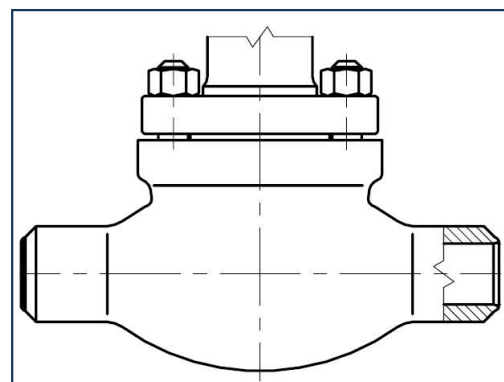


GF

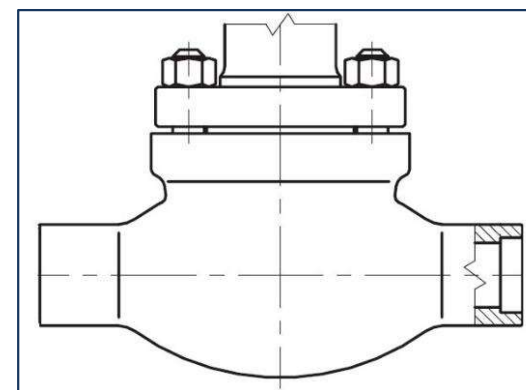


RTJ

Butt welded ends



butt – type BW



socket – type SW



“POLNA” S.A.

37-700 Przemyśl, Obozowa 23 Str

E-mail: [marketing@polna.com.pl](mailto:marketing@polna.com.pl)

Tel: +48 16 678 66 01

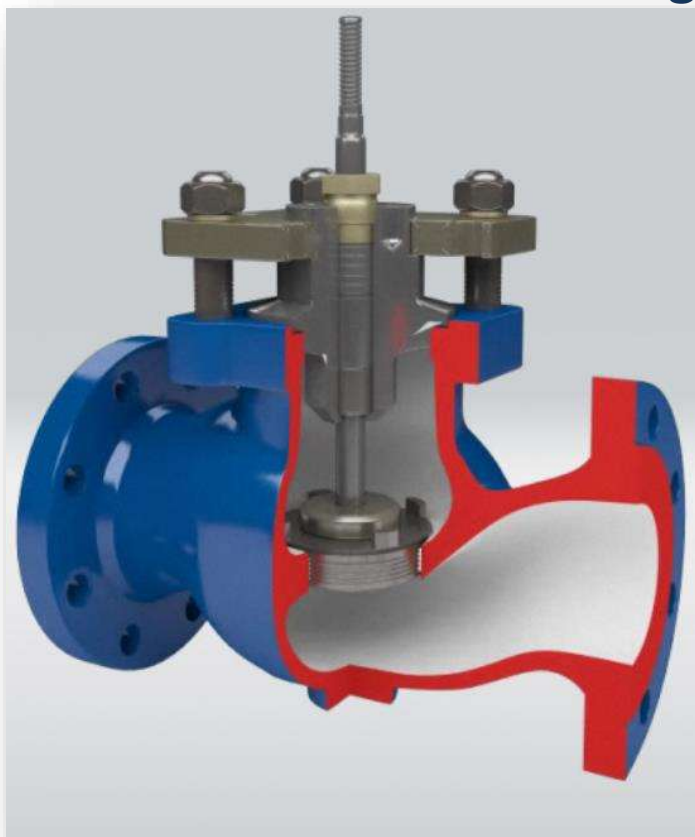
Fax: +48 16 678 65 24

[www.polna.com.pl](http://www.polna.com.pl)

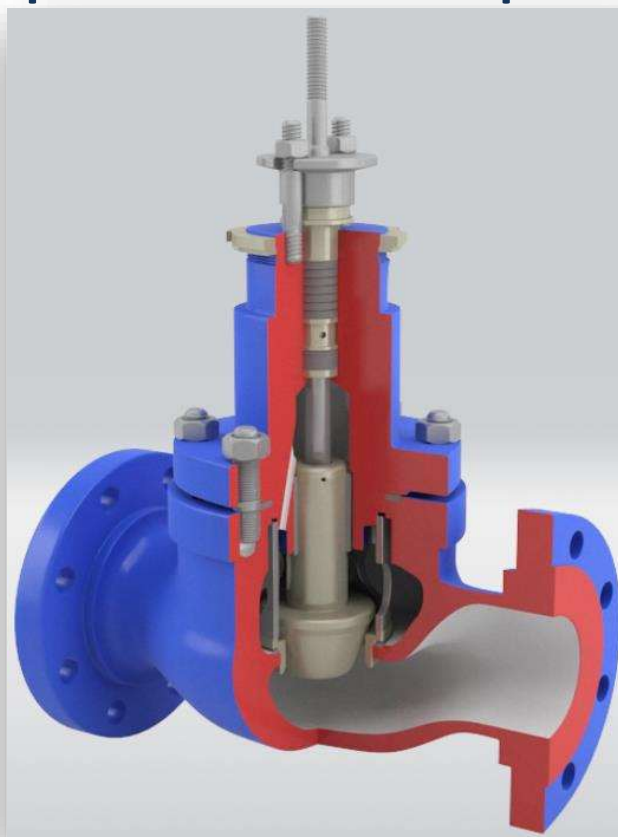
# GLOBE CONTROL VALVES WITH LINEAR PLUG

Standard executions

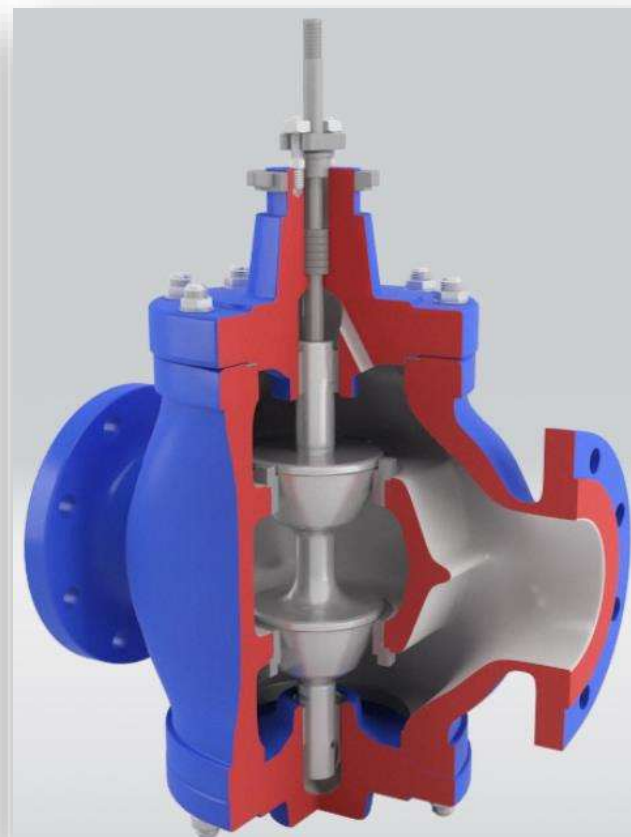
Single-ported and double-ported



**Series „Z”**  
**PN10-40**  
**CL150-300**



**Series „Z1A”**  
**PN10-400**  
**CL150-2500**



**Series „Z10”**  
**PN10-160**  
**CL150-900**



“POLNA” S.A.

37-700 Przemyśl, Obozowa 23 Str

E-mail: [marketing@polna.com.pl](mailto:marketing@polna.com.pl)

Tel: +48 16 678 66 01

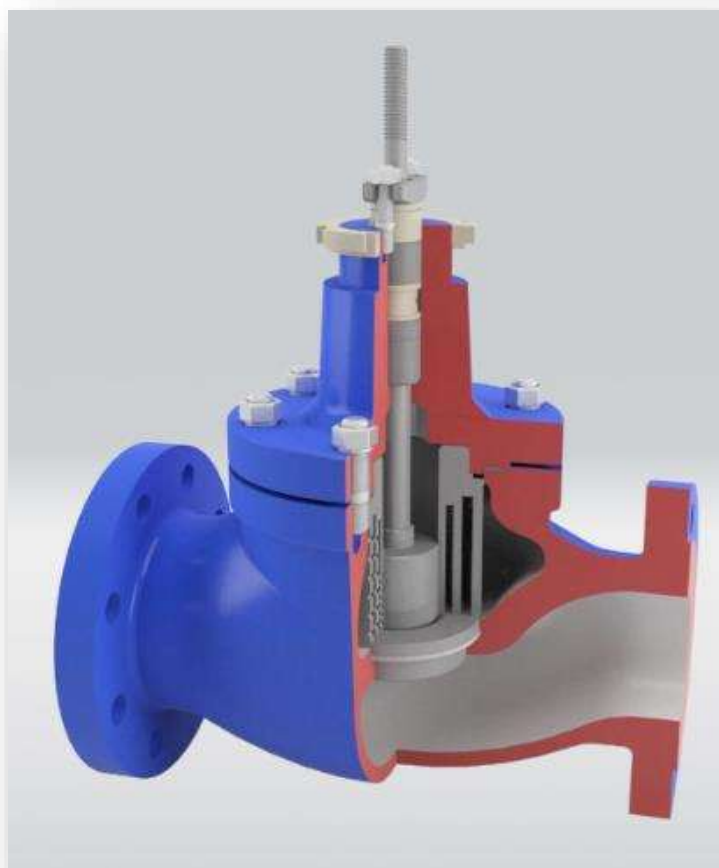
Fax: +48 16 678 65 24

[www.polna.com.pl](http://www.polna.com.pl)

# GLOBE CONTROL VALVES WITH LINEAR PLUG

Standard executions

Cage valves



Series „Z1B  
PN10-400  
CL150-2500



“POLNA” S.A.

37-700 Przemyśl, Obozowa 23 Str

E-mail: [marketing@polna.com.pl](mailto:marketing@polna.com.pl)

Tel: +48 16 678 66 01

Fax: +48 16 678 65 24

[www.polna.com.pl](http://www.polna.com.pl)

## 3-WAY VALVES WITH LINEAR PLUG (mixing or diverting function)



Series „Z3”

PN10-250

CL150-1500



“POLNA” S.A.

37-700 Przemyśl, Obozowa 23 Str

E-mail: [marketing@polna.com.pl](mailto:marketing@polna.com.pl)

Tel: +48 16 678 66 01

Fax: +48 16 678 65 24

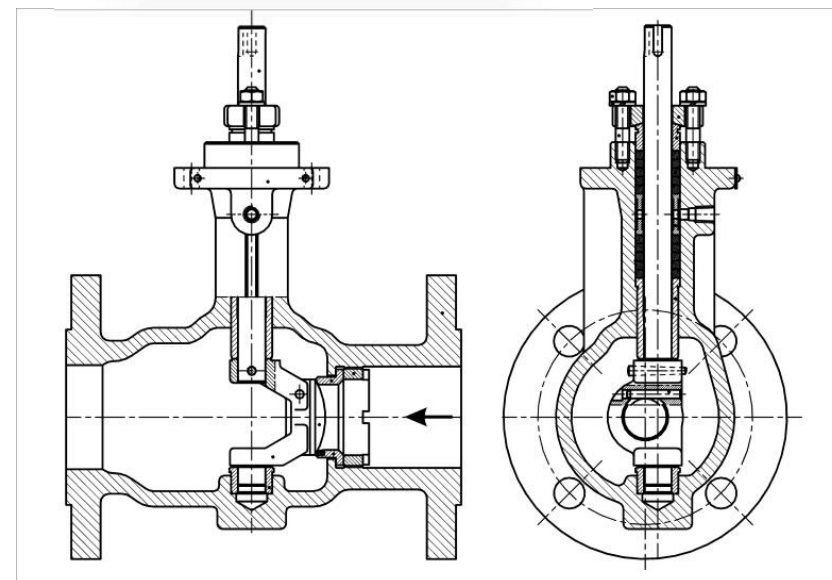
[www.polna.com.pl](http://www.polna.com.pl)

## GLOBE CONTROL VALVES WITH ROTARY PLUG



**High Kv**

**Series „Z33”  
PN10-40  
CL150-300**



## ACTUATOR DRIVES

### PNEUMATIC ACTUATORS

- Wide range of available forces
- Different spring ranges
- Varied options of accessories (positioners, limit switches, etc.)
- Possibility to change actuator function
- Complete with handwheel





“POLNA” S.A.

37-700 Przemyśl, Obozowa 23 Str

E-mail: [marketing@polna.com.pl](mailto:marketing@polna.com.pl)

Tel: +48 16 678 66 01

Fax: +48 16 678 65 24

[www.polna.com.pl](http://www.polna.com.pl)

## PNEUMATIC ACTUATORS– ACCESSORIES

positioners

solenoid valves

limit switches

block valves

air sets

boosters

hand wheel overdrive





## VALVE DRIVES ELECTRIC ACTUATORS

- **MANUFACTURERS :**

- AUMA
- SIPOS
- REGADA
- DREHMO
- ROTORK
- SIEMENS
- HONEYWELL
- other on customer request



## APPLICATIONS FOR POWER ENGINEERING

Desuperheaters, reducing and cooling stations:

- RING TYPE
- LANCE TYPE
- PISTON TYPE





“POLNA” S.A.

37-700 Przemyśl, Obozowa 23 Str

E-mail: [marketing@polna.com.pl](mailto:marketing@polna.com.pl)

Tel: +48 16 678 66 01

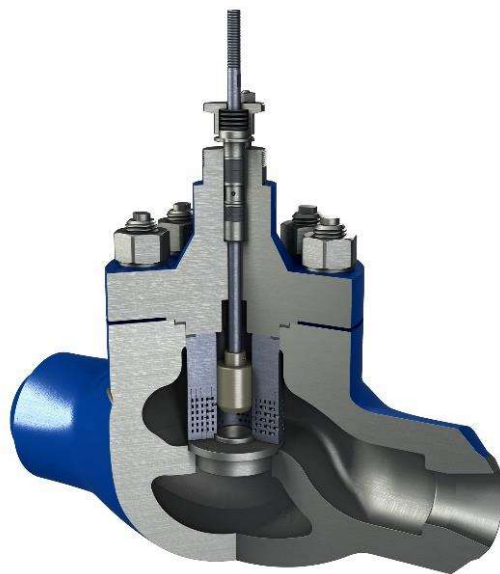
Fax: +48 16 678 65 24

[www.polna.com.pl](http://www.polna.com.pl)

## SELECTED SPECIAL EXECUTIONS

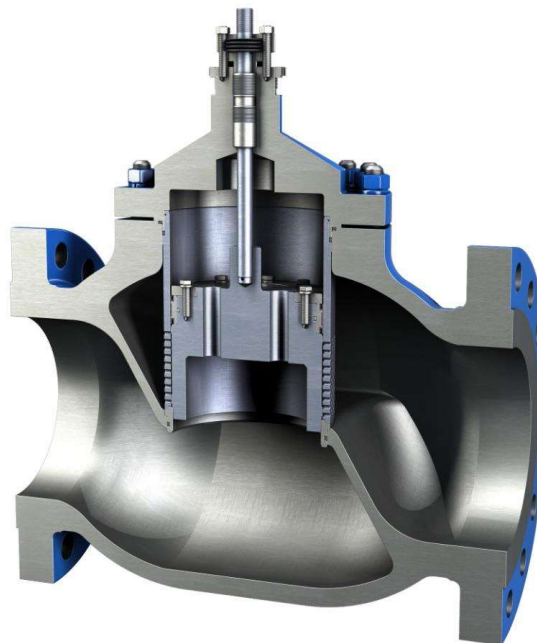
Minimal flow valves

DN50, Dp = 200 bar



Control valve DN300

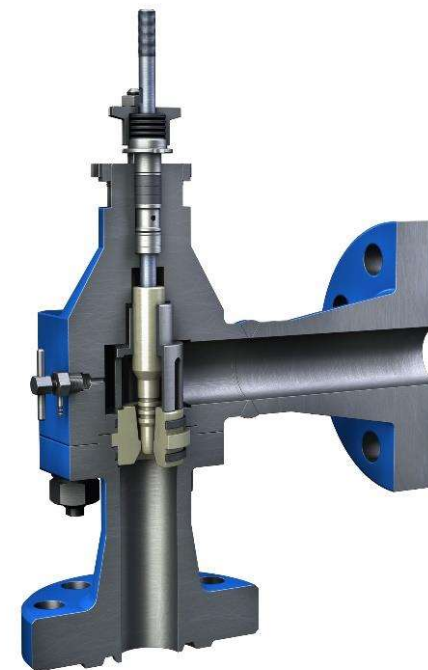
For flow control in **two directions**



Angle control valves

For natural gas

„Choke valve”





“POLNA” S.A.

37-700 Przemyśl, Obozowa 23 Str

E-mail: [marketing@polna.com.pl](mailto:marketing@polna.com.pl)

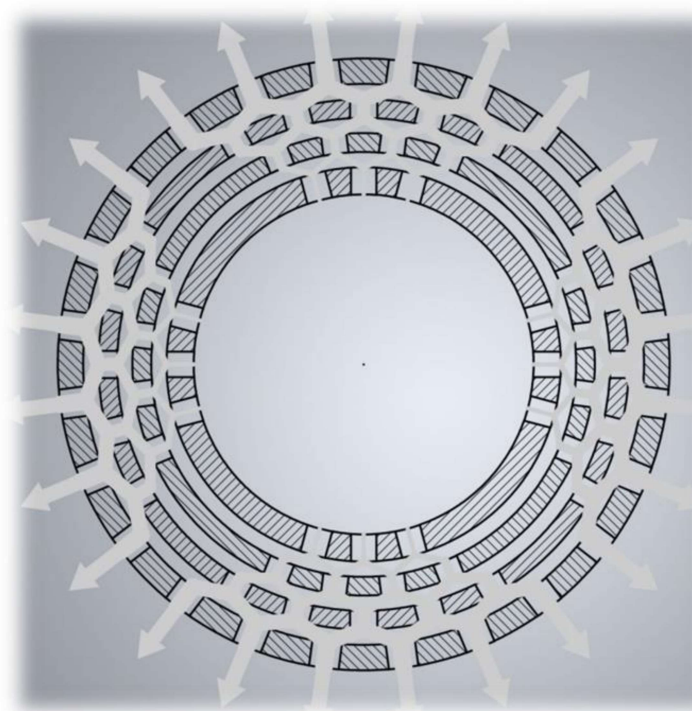
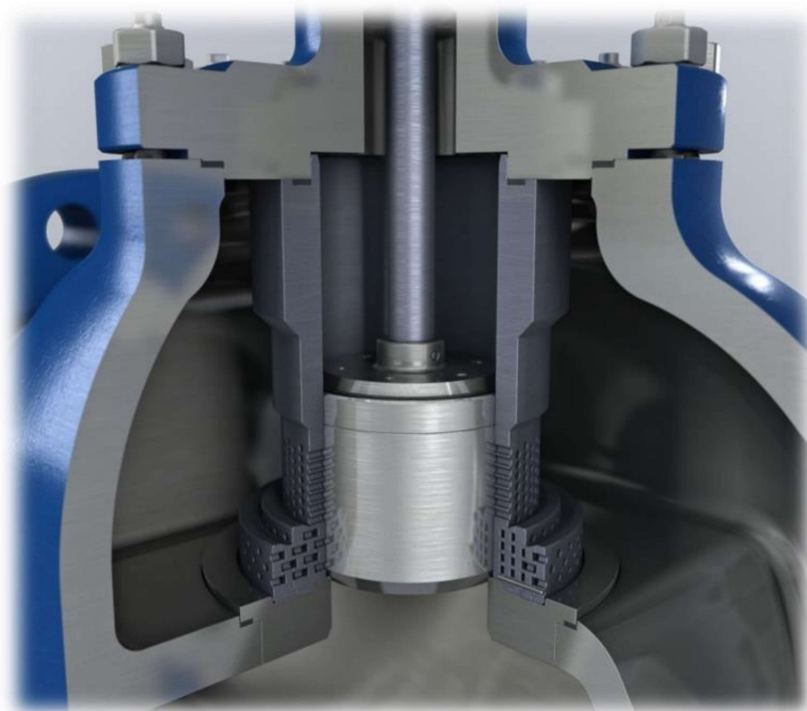
Tel: +48 16 678 66 01

Fax: +48 16 678 65 24

[www.polna.com.pl](http://www.polna.com.pl)

## SELECTED SPECIAL EXECUTIONS

### CONTROL VALVE WITH MULTI-PATH THROTTLING





“POLNA” S.A.

37-700 Przemyśl, Obozowa 23 Str

E-mail: [marketing@polna.com.pl](mailto:marketing@polna.com.pl)

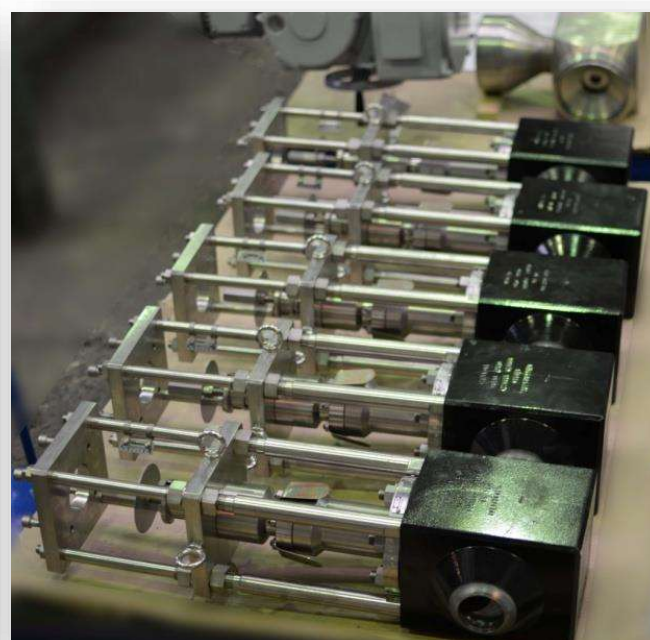
Tel: +48 16 678 66 01

Fax: +48 16 678 65 24

[www.polna.com.pl](http://www.polna.com.pl)

## SELECTED SPECIAL EXECUTIONS

Valves with bodies made from forged steel  
Nuclear power application





“POLNA” S.A.

37-700 Przemyśl, Obozowa 23 Str

E-mail: [marketing@polna.com.pl](mailto:marketing@polna.com.pl)

Tel: +48 16 678 66 01

Fax: +48 16 678 65 24

[www.polna.com.pl](http://www.polna.com.pl)

## SPECIAL EXECUTIONS VALVES PN700 (CL 4000)

Valves with bodies made from  
forged steel





“POLNA” S.A.  
37-700 Przemyśl, Obozowa 23 Str  
E-mail: marketing@polna.com.pl  
Tel: +48 16 678 66 01  
Fax: +48 16 678 65 24

www.polna.com.pl

# CERTIFICATES IN OUR POSSESSION

Certificate as per PED Directive

Certificate as per ATEX Directive

FIRE SAFE acc. to ISO 10497:2010 API Standard 607

SIL as per PN-EN (IEC) 61508



Set of Components/Component	Requirement (EN 12473 12.4.2.1)	Compliance (IEC 61508)
Valve	Category 3	Category 4
Actuator	Category 3	Category 4
Handwheel	Category 3	Category 4
Valve Positioner	Category 3	Category 4
Control System	Category 3	Category 4
Installation	Category 3	Category 4
Operation	Category 3	Category 4
Maintenance	Category 3	Category 4
Documentation	Category 3	Category 4
Inspection	Category 3	Category 4
Repair	Category 3	Category 4
Replacement	Category 3	Category 4
Disposal	Category 3	Category 4

Component	SIL Level				
	SIL 1	SIL 2	SIL 3	SIL 4	SIL 5
Valve	95%	5%	0%	0%	0%
Actuator	95%	5%	0%	0%	0%
Handwheel	95%	5%	0%	0%	0%
Valve Positioner	95%	5%	0%	0%	0%
Control System	95%	5%	0%	0%	0%
Installation	95%	5%	0%	0%	0%
Operation	95%	5%	0%	0%	0%
Maintenance	95%	5%	0%	0%	0%
Documentation	95%	5%	0%	0%	0%
Inspection	95%	5%	0%	0%	0%
Repair	95%	5%	0%	0%	0%
Replacement	95%	5%	0%	0%	0%
Disposal	95%	5%	0%	0%	0%



“POLNA” S.A.

37-700 Przemyśl, Obozowa 23 Str

E-mail: marketing@polna.com.pl

Tel: +48 16 678 66 01

Fax: +48 16 678 65 24

www.polna.com.pl

# CERTIFICATES IN OUR POSSESSION

## CUSTOM UNION (Russia, Belarus, Kazakhstan)



- TP/TC 010/2011- safety of machines and equipment
- TP/TC 032/2013 – Safety of instrumentation operating under the pressure

## UKRAINE

- Certificate of conformity:
  - ✓ GOCT 12.2.063-81
  - ✓ GOCT 12893-83
  - ✓ GOCT 5761-74
  - ✓ GOCT 9544-75







“POLNA” S.A.

37-700 Przemyśl, Obozowa 23 Str

E-mail: marketing@polna.com.pl

Tel: +48 16 678 66 01

Fax: +48 16 678 65 24

www.polna.com.pl

## POLNA IS A QUALIFIED SUPPLIER FOR LEADING COMPANIES:

- GENERAL ELECTRIC (ALSTOM)- power industry
- SIEMENS – automation
- DOOSAN SKODA POWER - power industry
- PGNiG – oil & gas
- ORLEN – petrochemical industry
- AUSTRIAN ENERGY – power industry
- PGE (Poland) - power industry
- SYNTHOS (Poland)– chemical industry

**SIEMENS Audit Report / Zpráva z externího auditu**

Code formu / Datum auditu / Audit No.	E00 19 11
Audit Team / Auditorský tým	
External management system	X
Sub-supplier's name / Imenno druž	POLNA c
Popis:	
1. Účel auditu:	
Kvalifikace dodavatele: O	
2. Rozsah auditu:	
Prověření a posouzení je s.r.o. Česká Republika a s	
3. Plán auditu:	
- Zahájení auditu – s	
- Dotazník pro hodn	
- Systém řízení kval	
- Systém životního p	
- Bezpečnost práce	
- Svařování / Weldin	
- Kontrola kvality / K	
- Průhledka výroby /	
4. Přehled prověřen	
Vypracoval externí auditorský tým / Datum: 08-07-2009	

Zápisník re 6 do instrukcí OPC-741-02

**ALSTOM**  
Základ Servisu

**ZAŠWIADCZENIE  
O KWALIFIKACJI DOSTAWCY**

Zakład Servisu ALSTOM Power Sp. z o.o. zaświadcza, że w wyniku auditu kwalifikacyjnego, wykonanego w dn. 08-07-2009, firma:

**ZAKŁADY AUTOMATYKI "POLNA" S.A.**

37-700 Przemyśl  
ul. Obozowa 23

została zakwalifikowana do grupy dostawców, spełniających wymagania na Poziomie 1 (zatwierdzony bez ograniczeń), u których Zakład Servisu ALSTOM Power Sp. z o.o. może zamawiać wykonanie:

- zaworów regulacyjnych pracujących w systemach pomocniczych turbozespołów turbin parowych sterowanych automatycznie

i została dopisana do Listy Dostawców Kwalifikowanych.

Oceniając, podczas auditu kwalifikacyjnego, wiarygodność finansową, zdolność organizacyjną, techniczną i funkcjonowanie Systemu Jakości, z uwzględnieniem stosowanych działań dla spełnienia wymogów prawnych, wynikających z występujących zagrożeń dla człowieka i środowiska, stwierdzono, że firma **ZAKŁADY AUTOMATYKI "POLNA" S.A. spełnia wymagania** zawarte w Procedurze Kwalifikacji Dostawców Zakładu Servisu ALSTOM Power Sp. z o.o.

ZAŠWIADCZENIE jest ważne do: 2012-07-31.

KIEROWNIK  
Działu Zarządzania Procesami  
Systemy Inżynierskie i Jakości  
Zakład Servisu  
ALSTOM Power Sp. z o.o.  
mgr Tomasz Jacak

Numer ZAŠWIADCZENIA: 09/02  
Ebilóg, dnia: 2009-07-28



“POLNA” S.A.

37-700 Przemyśl, Obozowa 23 Str

E-mail: [marketing@polna.com.pl](mailto:marketing@polna.com.pl)

Tel: +48 16 678 66 01

Fax: +48 16 678 65 24

[www.polna.com.pl](http://www.polna.com.pl)

WE PROVIDE TRAININGS:



IN OUR OFFICE



IN CUSTOMER OFFICE

WE PARTICIPATE IN INTERNATIONAL AND DOMESTIC FAIRS:





**“POLNA” S.A.**

37-700 Przemyśl, Obozowa 23 Str

E-mail: [marketing@polna.com.pl](mailto:marketing@polna.com.pl)

Tel: +48 16 678 66 01

Fax: +48 16 678 65 24

[www.polna.com.pl](http://www.polna.com.pl)

A blue-tinted photograph of an industrial facility, likely a refinery or chemical plant, with various towers, pipes, and structures. The image is used as a background for the central text.

**WIĘCEJ NIŻ AUTOMATYKA**

**MORE THAN AUTOMATION**

**THANK YOU FOR YOUR ATTENTION.**